



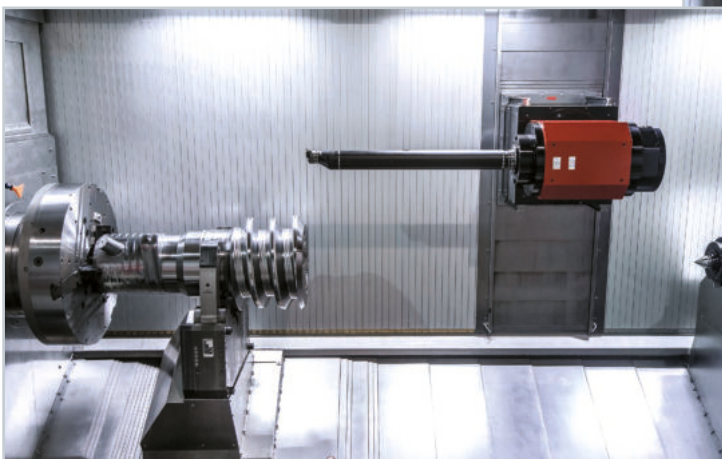
WALL ROLL-UP COVER Roll-up covers for FRONTAL application

WALL ROLL-UP COVER is a dividing wall between the working area and the machine room in large lathes. **WALL ROLL-UP COVER** consists of special **P.E.I.** roll-up covers.

The X-axis is equipped with a **"J"-series apron**, the Y-axis with a **telescopic Sheet-Pocket™ cover** with way wipers. Our design department is pleased to help you with any questions.



Application example ▶



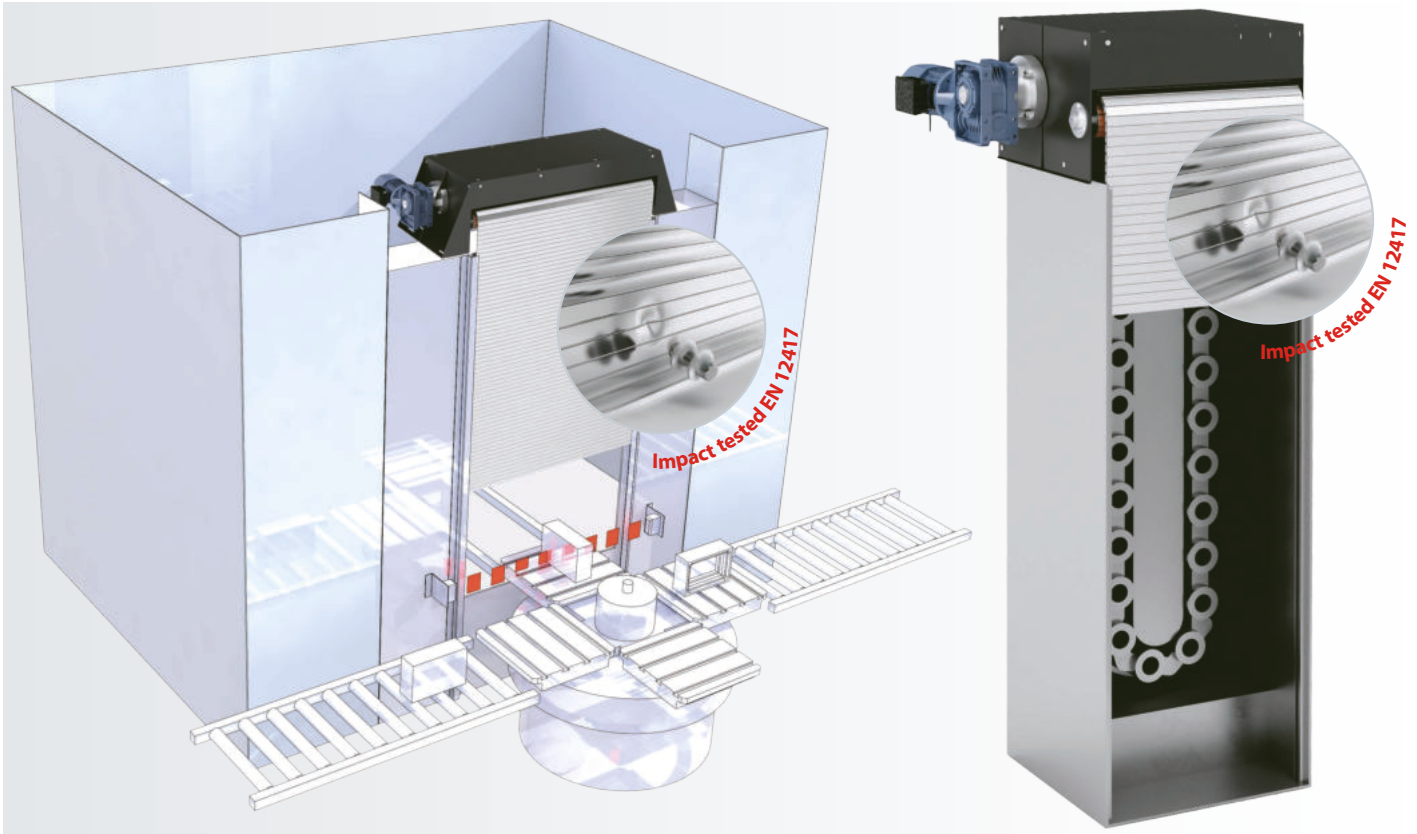
Reproduction of this page is strictly prohibited. P.E.I. srl reserves the right to modify data, drawings and dimensions contained in this catalog without prior notice.



MOTOR ROLL-UP COVER Roll-up cover for VERTICAL application

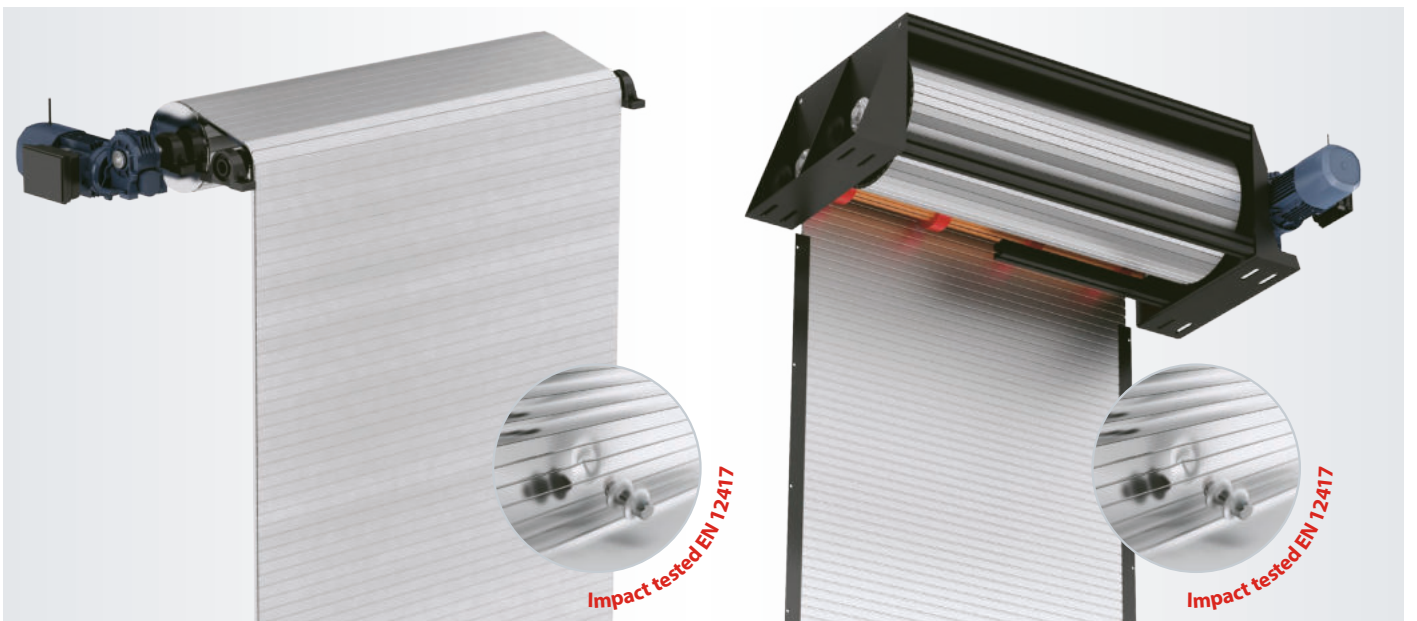
All **P.E.I.** apron covers can be equipped with a **motor** and serve as a dividing wall between the working area and the machine operator. This allows for a **fast change of the tool or the workpiece**. The apron cover works in a **vertical** position and can be designed with or without canister. The **motor** can be installed on the left or the right side, vertically or horizontally. Our design department is pleased to help you with any questions.

Reproduction of this page is strictly prohibited. P.E.I. srl reserves the right to modify data, drawings and dimensions contained in this catalog without prior notice.



▲
APPLICATION FOR
CHANGING THE WORKPIECE

▲
APPLICATION FOR
THE TOOL CHANGE



▲
VERSION WITHOUT CANISTER AND
WITH DIVERTER PULLEY

▲
EXAMPLE OF A COVER WITH CANISTER
AND SLIDE BEARING

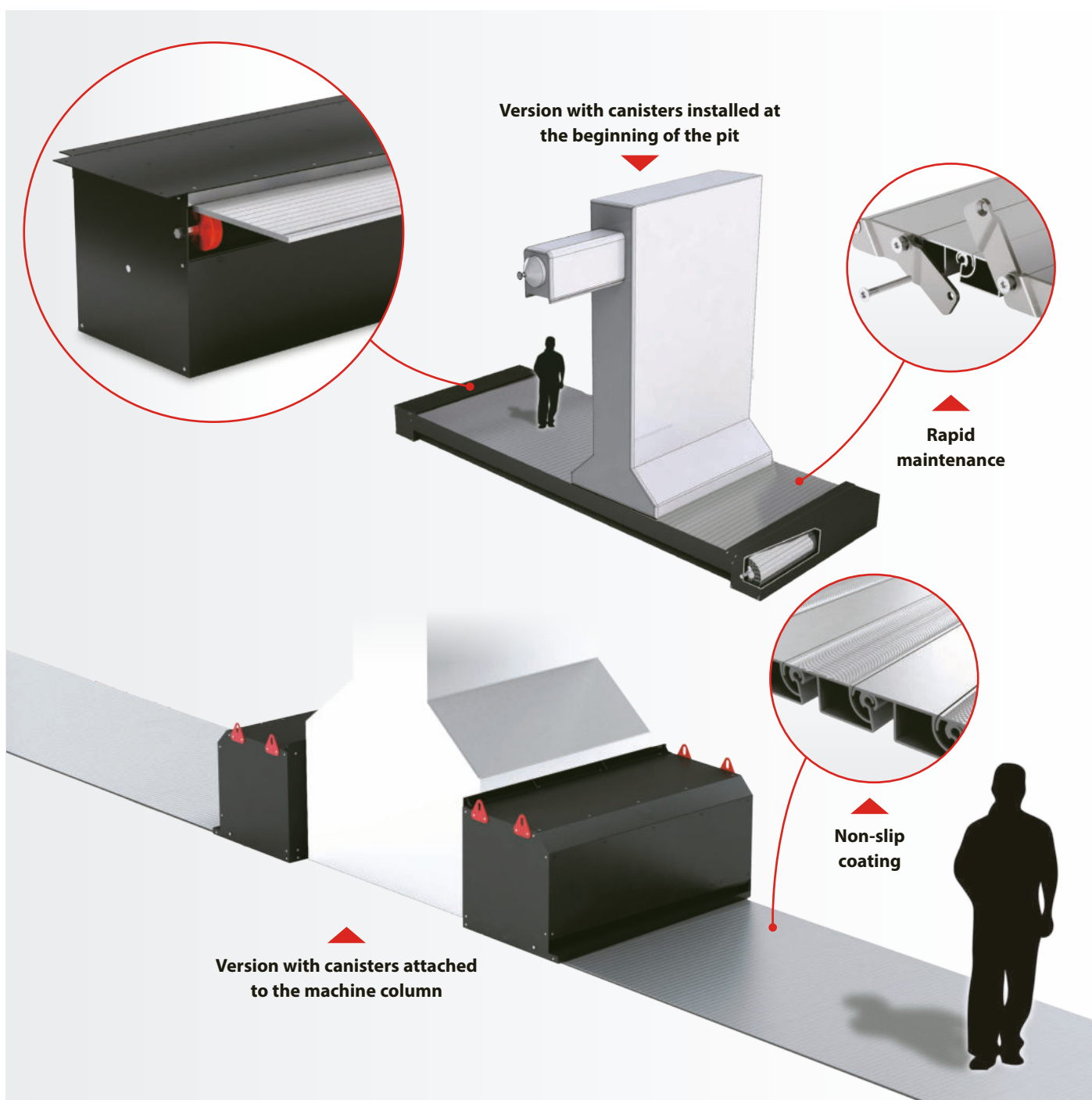


PIT ROLL-UP COVER Roll-up covers for HORIZONTAL application

PIT ROLL-UP COVER closes the upper part of the pit of machines whose base (or other parts) lie below the tread. By use of this **horizontally** installed apron, current accident prevention regulations can be complied with.

By installing the **"J"-series apron cover**, the machine pit can be walked-on at any time.

- **Velocity:** up to 120 m/min; suitable for wet and dry machining
- Guaranteed service life: 1.000.000 movements
- **Highly resistant:** particularly suitable for walk-on surfaces
- **Entirely made of metal**
- The side facing the flying chips has an **absolutely even** surface
- **Cleaned** by way wipers
- The mechanical winding mechanism produces **no impact or vibration noise**
- The **lateral apron guide** is designed in such a way that the chips fall into the chip conveyor
- Closed lateral steel plates produce a **"chain effect"**
- Modular system with single exchangeable elements
- Joint **protected** by an integrated labyrinth
- **Reinforced** version with steel profiles



Reproduction of this page is strictly prohibited. P.E.I. srl reserves the right to modify data, drawings and dimensions contained in this catalog without prior notice.

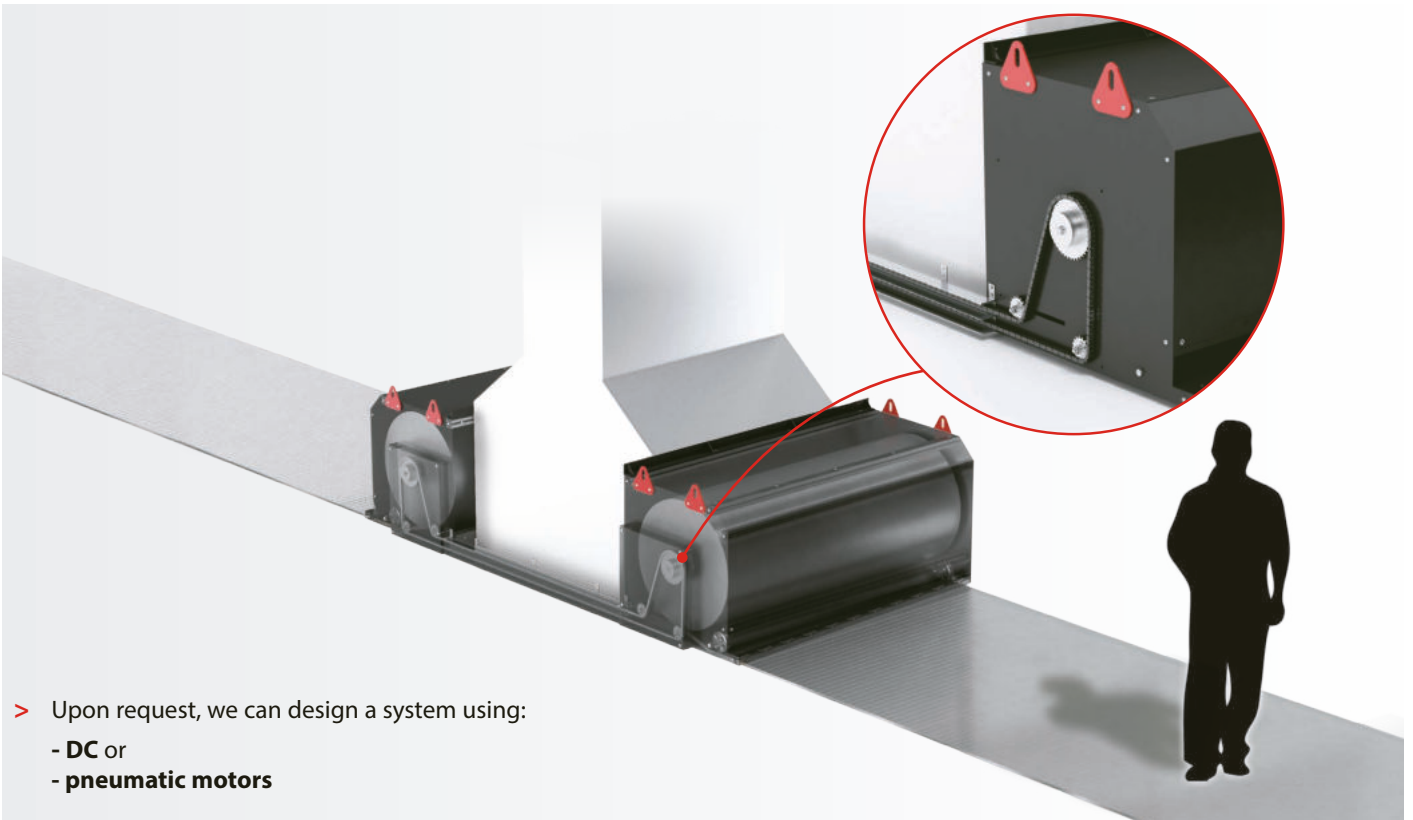


CHAIN ROLL-UP COVER Roll-up covers for HORIZONTAL application

P.E.I. Roll-up covers with **Chain Movement** (patented system).

They have the essential feature of keeping the strip perfectly fixed while the machine is running.

- The band is fixed relative to the floor, allowing people to cross the machine trench at any time **even while the machine is in operation**.
- The **winding tubes** incorporated in the canisters are attached to the machine column. A **system compensating** the diameter automatically allows for a concerted unwinding of the aprons.
- The dimensions, layout, and speed of travel are **developed for each order** and can meet your exact needs.



Application Example

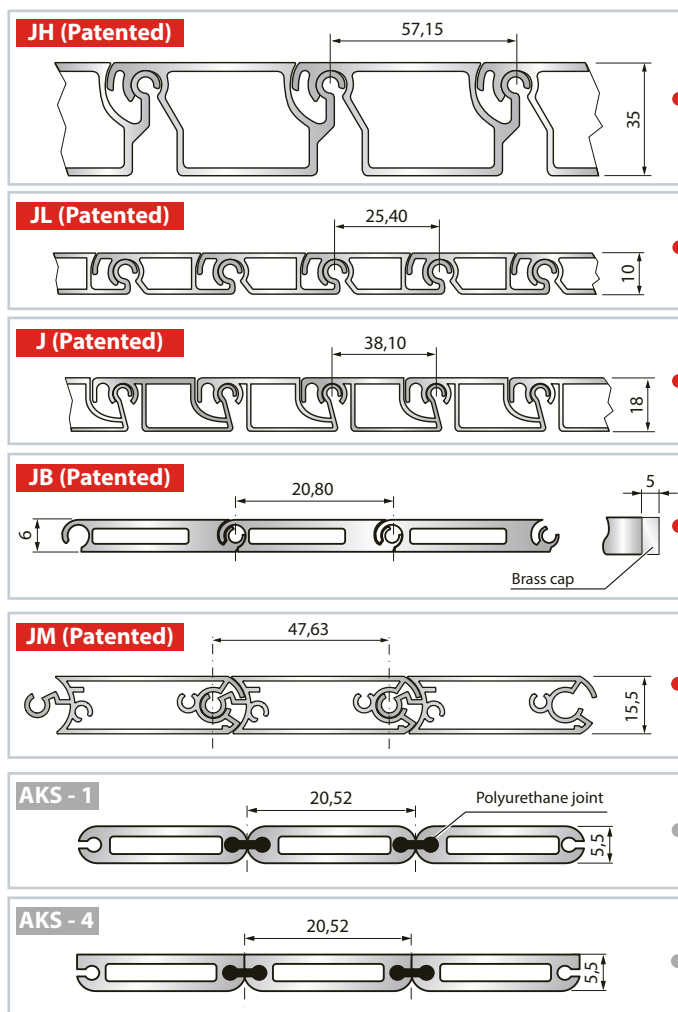


Reproduction of this page is strictly prohibited. P.E.I. srl reserves the right to modify data, drawings and dimensions contained in this catalog without prior notice.



FLEXIBLE ALUMINIUM COVERS

All "J"-series apron covers are **IMPACT TESTED** according to **EN 12417**.

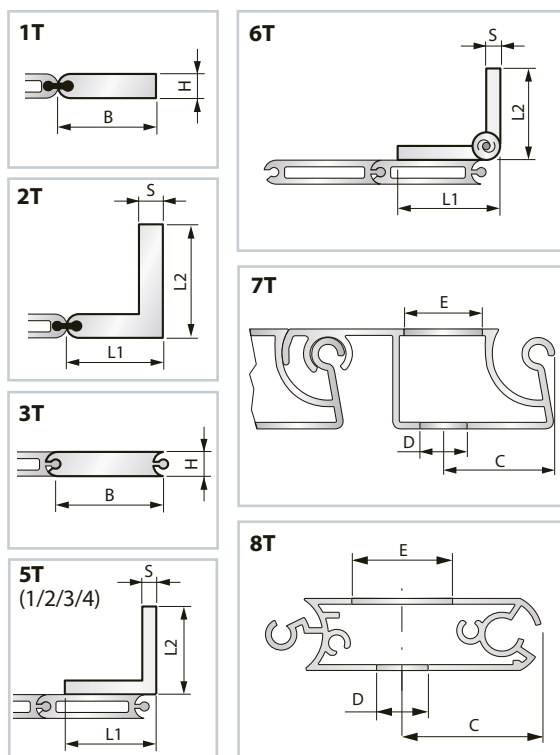


Terminal sizes:

Terminal Code	L1xL2xS	BxH	C	D	E	Material	Description	Cover Code
1T		25x5,5				Al	Flat	AKS-1/AKS-4
2T	20x30x5,5					Al	Corner	AKS-1/AKS-4
3T		20x6				Al	Cover	JB
5T/1	15x15x3					Al-Ac	Corner	JB
5T/2	20x20x3					Al-Ac	Corner	JB
5T/3	30x30x3					Al-Ac	Corner	J / JB / JL / JM
5T/4	40x40x5					Ac	Corner	J / JH / JM
6T	30x30x2					Ac	Hinged	AKS-1/AKS-4 J/JL/JH/JB/JM
7T	Drilling upon request only		18 20 35	∅ 5,50 ∅ 8,50 ∅ 13	∅ 10 ∅ 14 ∅ 20	Al	Cover	JL J JH
8T			30	11	22	Al-Ac	Corner	JM

Al = Aluminum Stl = Steel

Standard end mount profiles:



> We can provide end mountings to match customer drawings upon request.

Dimensions in mm.

Reproduction of this page is strictly prohibited. P.E.I. srl reserves the right to modify data, drawings and dimensions contained in this catalog without prior notice.

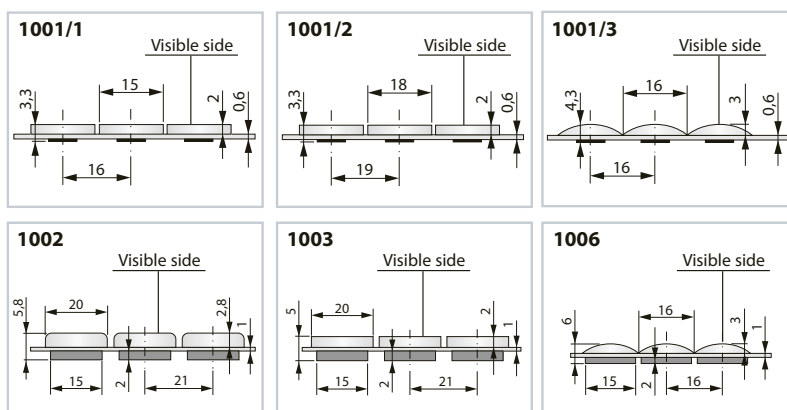
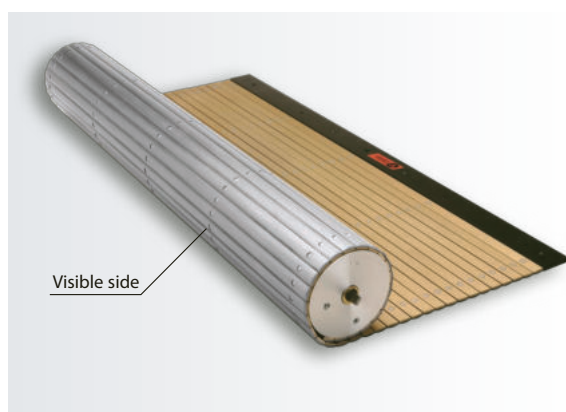


Technical Specifications

Code	Minimum winding diameter		Cover weight Kg/m ²	Cover cleaning	Bending strength, support distance*		Max. charge permitted kg each wheel Ø100	Impact tested EN12417 Joule	Anti-slip treatment	Traction strength kN/m
	With upper roller	With lower roller			mm	mm				
	mm	mm								
JH	200	200	25,0	Wiper	4500	4000	75	250	Upon request	2
JL	100	100	12,2	Wiper	1200	1000	50	90	Upon request	2
J	150	150	12,5	Wiper	2200	1750	50	150	Upon request	2
JB	/	60	9,5	Wiper	750	600	50	150	Not available	2
JM	/	150	14,8	Wiper	2250	1850	50	150	Not available	2
AKS1	50	50	9,0	Brush	750	600	/	-	Not available	1,2
AKS4	/	50	9,0	Wiper	750	600	10	-	Not available	1,2

MATERIAL: Anodized silver aluminum * Max. bending 1% of the support distance **MAX. FEASIBLE WIDTH:** 6000 mm

RIVETED APRON COVERS

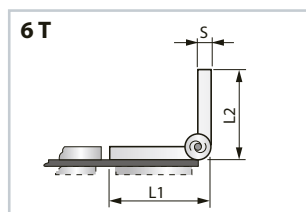
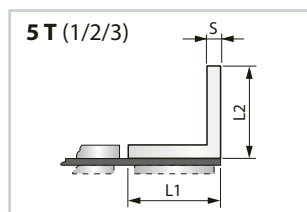


Code	Possible combinations of materials		Minimum winding diameter (mm)		Max. feasible width mm
	Upper elements	Lower elements	With upper roller	With lower roller	
1001/1	Al-Stl-Br		50	30	2000
1001/2	Al-Stl-Br		70	30	2000
1001/3	Al		70	30	2000
1002	Al	Al-Stl-Br	40	40	2000
1003	Al-Stl-Br	Al-Stl-Br	70	40	2000
1006	Al	Al-Stl-Br	70	50	2000

Al= Aluminum Stl= Steel Br= Brass

> We can provide end mountings to match customer drawings upon request.

Standard end mount profiles:



Terminal Code	L1xL2xS	Material
5T/1	15x15x3	Al - Ac
5T/2	20x20x3	Al - Ac
5T/3	30x30x3	Al - Ac
6T	30x30x2	Stl hinge

Reproduction of this page is strictly prohibited. P.E.I. srl reserves the right to modify data, drawings and dimensions contained in this catalog without prior notice.



CORNER ROLL-UP COVER Roll-up cover for HORIZONTAL / VERTICAL application

CORNER ROLL-UP is a new **P.E.I** application: a roll-up cover that protects more than one side, both **vertically** and **horizontally**. It is rolled up using a **P.E.I** winding mechanism driven by a motor with integrated side chains fixed to the shutter, creating a rack effect. This roll-up cover is provided with a new, 15.5 mm thick **JM** aluminium profile.

Suitable for walk-on applications, with superior performance than the J-Type apron (more information on page 29 of our General Catalogue).



It is possible as a standard to equip the **cover** with **illumination** inside



Option of viewing panel in versions:

- **transparent**
- **tinted for welding work**
- **tinted for laser working,**

after specification of equipment type and radiant source



Reproduction of this page is strictly prohibited. P.E.I. srl reserves the right to modify data, drawings and dimensions contained in this catalog without prior notice.