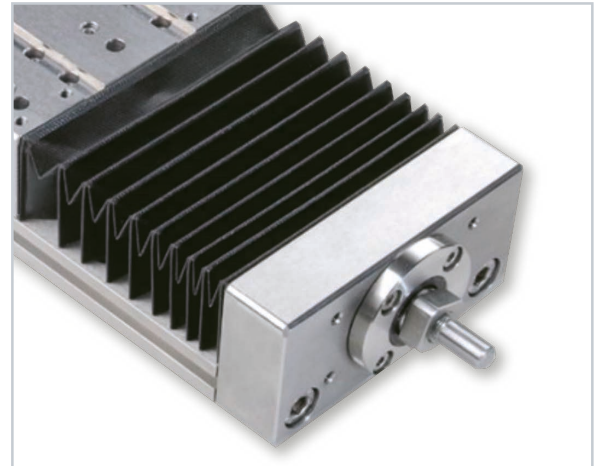
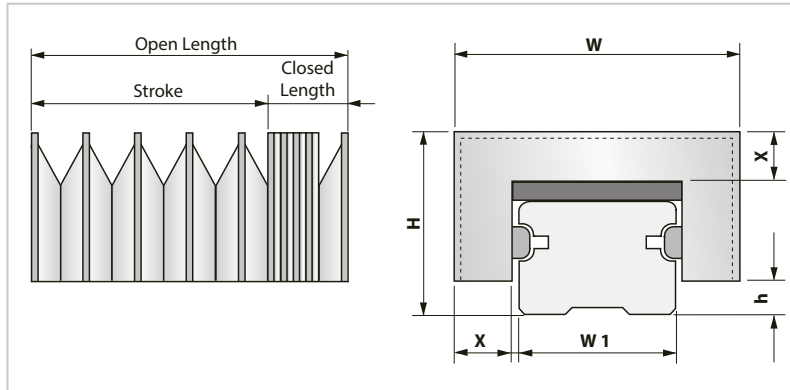




## Thermic-Welded Covers for Linear Slides

Example of bellows mounted on linear slides



### List of Standard Material

Type of material	Stiffener	Fabric material	Closed length for 1000 mm of open length
<b>S1</b>	PVC 0,50	PVC + Polyester + PVC 0,25 (TEMAT020)	90
<b>P1</b>	PVC 0,50	Polyurethane + Polyester + Polyurethane 0,25 (TEMAT015)	90
<b>LX</b>	PVC 1,00	Polyurethane Panox/Kevlar + Polyurethane 0,33 (TEMAT169)	150

### Standard Thermic-Welded Covers Size

Slide nominal value	Ply height	Bellow width	Total height	Slide deviation
<b>W1</b>	<b>X</b>	<b>W</b>	<b>H</b>	<b>h</b>
15	19	56	36	5
20	19	61	40,5	5
25	19	67	43	7,5
30	19	72	51	8
35	19	76,5	51	9
45	19	87,5	61	10
55	25	108	73	15
65	32	132	90	15

Example of the identification code of a Thermic-Welded Cover for Linear Slides complete with flange

Slide manufacturer	THK
Slide model	HSR
Slide nominal value (W1)	35
Open length (stroke + closed length)	1500
Type of material	P1
Flange fixing system	A-A (See page 38)

NOTE: For the W1 slide over size 65, please contact our Technical Dept.

### Questionnaire for Thermic-Welded Covers for Linear Slides

**!** Slide Manufacturer .....

Slide Model .....

Slide Nominal Value (W1)     15     20     25     30  
     35     45     55     65

Open length (Stroke + Closed length) .....mm

Fabric type     S1     P1     LX

Fastening system on guide top     Solution A with clamps  
     Solution B1 with flange in PVC

Fastening system to table     Solution A with clamps  
     Solution B2 with flange in PVC

**!** Company name .....

Phone: .....

E-mail: .....

Quantity: .....

Annual demand: .....

.....

Date: .....

Notes: .....

.....

.....

NOTE: The data fields and/or tables marked by **!** are the least ones to be filled in order to give you a quotation. Please send an e-mail to [info@pei.eu](mailto:info@pei.eu) or a fax to +39 051 6464840.

Dimensions in mm.

Reproduction of this page is strictly prohibited. P.E.I. srl reserves the right to modify data, drawings and dimensions contained in this catalog without prior notice.