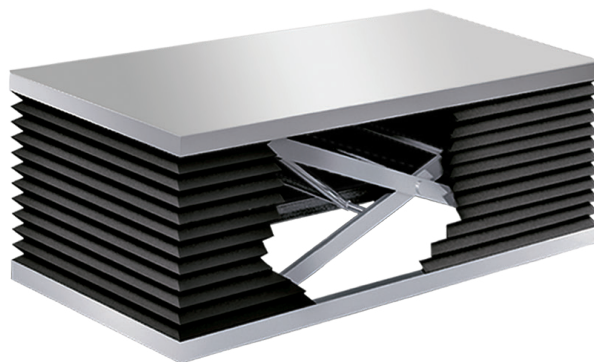


BELLOWS FOR HOISTING PLATFORM

Hoisting platforms are often used in industrial or logistic areas, but are also used as undercarriages for medical equipment and wherever goods need to be moved.

The lifting area underneath the platform is exposed to dust, dirt or other foreign bodies, therefore it should be protected.

The bellows also act as safety guard, minimising the risk of injury to operators.



Standard systems for fastening bellows for lift tables

I

Solution with sheet steel, aluminum or PVC flange. Shape and holes per customer drawings.

B

Solution with sheet steel, aluminum or PVC flange. Shape and holes per customer drawings.

E

Solution with rapid VELCRO connection. This solution offers:

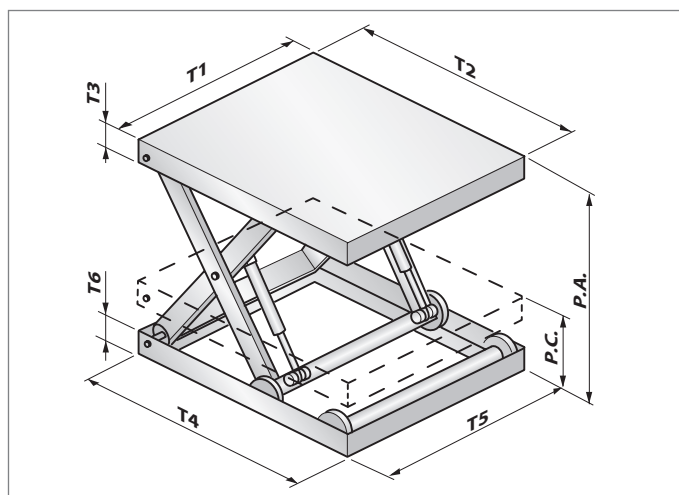
- Rapid application and removal of the cover
- Low cost

CI

Bellows inner collar. Suitable for screw fastening.

CE

Bellows outer collar. Suitable for screw fastening.



Questionnaire for hoisting platforms:

T1 = mm

T2 = mm

T3 = mm

T4 = mm

T5 = mm

T6 = mm

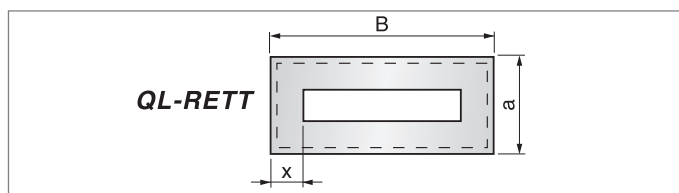
P.A. = mm

P.C. = mm

NP = mm

Upper side fastening I B E CI CE

Lower side fastening I B E CI CE



Questionnaire for hoisting platforms bellows:

a = mm

B = mm

X = mm

Notes

.....

.....

.....

.....

Company name

Ph.

E-mail

Quantity

Date

NOTE: The data fields and/or tables marked by are the least ones to be filled in order to give you a quotation. Please send an e-mail to info@pei.it or a fax to +39 051 6464840.